

CMIAT400M3GA153CH
3 Channel 15dB Attenuator

Frequency Range	400-3000MHz
Attenuation @ 400-700MHz	15-19dB
Attenuation @ 700-3000MHz	14-16dB
Attenuation Flatness	±0.05 dB per any 20MHz over the band
PIM Performance	2 tone test at 43dBm 160dBc typical, 155dBc min. PIM test per QSW-08-06-174 @ 1850 MHz
Input Return Loss, High Power Port. 400 to 698 MHz	-19dB max.
Input Return Loss, High Power Port. 698 to 2800 MHz	-20 dB max.
Input Return Loss, High Power Port. 2800 to 3000 MHz	-18dB max.
Output Return loss, Low Power Port	-22 dB max.
Average Power Handling	100W for all operating conditions
Peak Power Handling	3 KW
Isolation between Attenuators	>80dB
Mass	6.35kg max.
Operating Temperature	-10° TO +70°C ambient, mounted onto customer's heat-sink which is kept cooled under 90°C base plate.
RoHS Compliant	

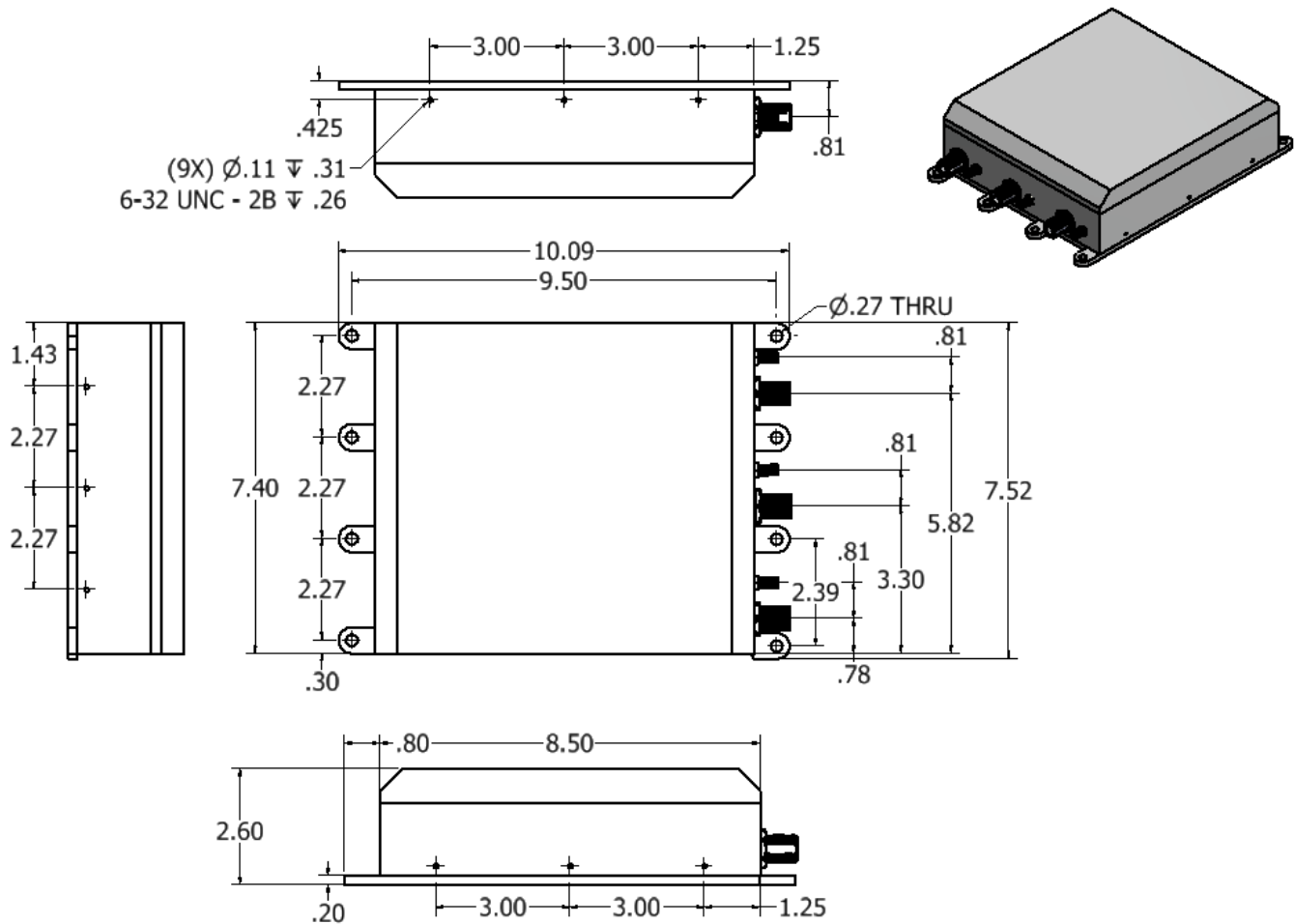
CALL OUR SALES DEPARTMENT FOR MORE INFORMATION OR VARIATIONS OF THIS PRODUCT.

Corry Micronics, Inc. One Plastics Rd. - Corry, PA 16407

(724) 940-7556 ext. 138 Fax (724) 940-7707 www.cormic.com

Corry Micronics Inc. herein referred to CMI, believes this information to be accurate, but makes no warranties, expressed or implied as to the accuracy of this document. CMI assumes no liability for any injury, loss, damage, direct or consequential arising from the use of our products. User assumes all risk whatsoever in connection with it's intended use. CMI also reserves the right to change this document without notice. 6/8/15

CMIAT400M3GA153CH
3 Channel 15dB Attenuator



All Dimensions in Inches.

CALL OUR SALES DEPARTMENT FOR MORE INFORMATION OR VARIATIONS OF THIS PRODUCT.

Corry Micronics, Inc. One Plastics Rd. - Corry, PA 16407

(724) 940-7556 ext. 138 Fax (724) 940-7707 www.cormic.com

Corry Micronics Inc. herein referred to CMI, believes this information to be accurate, but makes no warranties, expressed or implied as to the accuracy of this document. CMI assumes no liability for any injury, loss, damage, direct or consequential arising from the use of our products. User assumes all risk whatsoever in connection with it's intended use. CMI also reserves the right to change this document without notice. 6/8/15